



## Gas filled thermometers FTh 160 Ch

Part no. 64375432

gas filled thermometer for chemical applications

### benefits

- for chemical, process engineering and food industry applications
- high measuring accuracy
- fast response

### Application

For corrosive media. Meets the most exacting measuring demands, e.g. in process engineering as well as chemical and food industry applications.

### Technical Specifications

#### Type

D4

#### Nominal size

160

#### Measuring principle

Pressurised gas filling

#### accuracy class

1 (EN 13190)

#### ranges °C

0/120

#### Application area (EN 13190)

continuous load: Full scale value

short-term: 1.1 x full scale value

#### Operating pressure at thermowell

max. 10 bar (Up to 300 °C)

#### Degree of protection

IP 65 (EN 60529)

#### Connection

Stem: Stainless steel 321, Ø 10 mm, plain

#### mounting position

bottom

#### Dial

Aluminium, white

Scaling: black

#### Pointer

Aluminium, black

#### Zero correction

at the side

**movement**

Brass

**bayonet bezel**

Stainless steel 304

**Housing**

Stainless steel 304

**window**

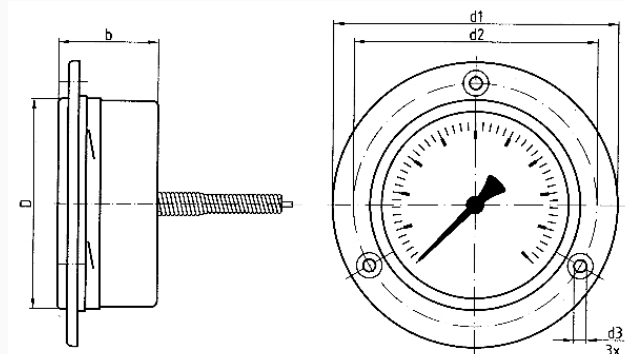
Instrument glass

**Options**

- Every angle version
- Grooved nut connection as per DIN 11851
- other connection designs
- other nominal sizes
- other ranges
- special scales
- Glycerine filling (type D8)
- back flange
- 3-hole fixing, panel mounting bezel
- Capillary (stainless steel 321)
- special materials
- Electrical contacts

**Technical Drawings**

**Version with capillary and 3-hole fixing, panel mounting bezel**



**Dimensions (mm)**

NG	b	D	d1	d2	d3
100	45	101	132	116	5,5
160	45	161	196	178	6

## Versions

Type	housing $\varnothing$	Range	Type	Type	Part no.
FTh 160 Ch	160 mm	0/120 °C	FTh 160 Ch	D432	64375432

- in-stock items
- Non-stock items