



Capsule pressure gauges for chemical applications KP100Ch

Part no. 35110402

Capsule pressure gauges for chemical applications Type D4

benefits

- with zero correction
- robust stainless steel housing (with bayonet bezel)
- wetted parts and movement made of stainless steel
- GOSSTANDART-certified
- Ex version (optional)

Application

For corrosive gaseous and dry media, also for use in corrosive environments.

Technical Specifications

Type

D4

Nominal size

100

accuracy class (EN 837-3/6)

1.6

ranges (EN 837-3/5)

see ordering table

application area

static load: Full scale value
dynamic load: 0.9 x full scale value
overload safety: 1.3 x full scale value

Operating temperature range

Medium: max. 100 °C
Ambient: -20/+60 °C

Temperature performance

Indication error when the temperature of the measuring system deviates from the normal temperature of 20 °C:
at rising temperature approx. $\pm 0.6 \%$ /10 K
falling temperature approx. $\pm 0.6 \%$ /10 K
of full scale value

Degree of protection

IP 32 (EN 60529)

Connection

stainless steel 316 Ti/316 L, bottom

Measuring element

Capsule element, stainless steel 316 Ti/316 L

movement

Stainless steel

Zero correction

from the front

Seal

FKM (Viton)

Dial

 Aluminium, white
 Scaling: black

Pointer

Aluminium, black

Housing

Stainless steel 304

bayonet bezel

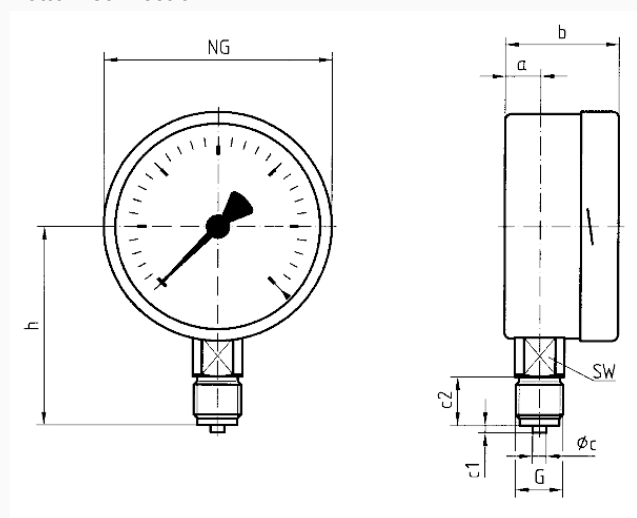
Stainless steel 304

window

 D402
 Laminated safety glass

Options

- back flange
- Panel mounting bezel
- 3-hole fixing, panel mounting bezel
- Ex version
- throttle screw
- special scales
- other process connections

Technical Drawings
Bottom connection

Dimensions (mm)

NG	a	b	Øc	c1	c2	G	h	SW
63	10,8	40	5	2	13	G $\frac{1}{4}$ B	53	14
100	15,6	49	6	3	20	G $\frac{1}{2}$ B	86	22
160	17,5	50	6	3	20	G $\frac{1}{2}$ B	116	22

Versions

Range	Mounting type	Type		Part number
-400/+0 mbar	direct	KP100Ch D402	●	35110402

- in-stock items
- Non-stock items