



Bourdon tube pressure gauge RF63 ax

Part no. 63537

Bourdon tube pressure gauge RF for heating/plumbing

benefits

- with self-sealing connection thread (NG 50 and 63) for fast mounting
- corrosion-resistant housing

Application

For gaseous and liquid media which are not highly viscous, do not crystallise and do not attack copper alloys and EPDM.
! For measuring gas or vapour, observe the table "Selection Criteria as per EN 837-2" (see appendix)!

Technical Specifications

Nominal size

63

accuracy class (EN 837-1/6)

2.5

ranges

0/4 bar

application area

static load: $\frac{3}{4}$ x full scale value
dynamic load: $\frac{2}{3}$ x full scale value
short-term: Full scale value

Operating temperature range

Medium: max. 60 °C
Ambient: -20/+60 °C

Temperature performance

Indication error when the temperature of the measuring system deviates from the normal temperature of 20 °C:
at rising temperature approx. $\pm 0.4 \%$ /10 K
falling temperature approx. $\pm 0.4 \%$ /10 K
of full scale value

Degree of protection

IP 32 (EN 60529)

Connection

Brass, centre back
NG 63
G $\frac{1}{4}$ B, Self-sealing with PTFE sealing ring

Measuring element

Bourdon tube, "C" type tube
Copper alloy

movement

Brass

Dial

Plastic, white
Scaling: black

Pointer

Plastic, black

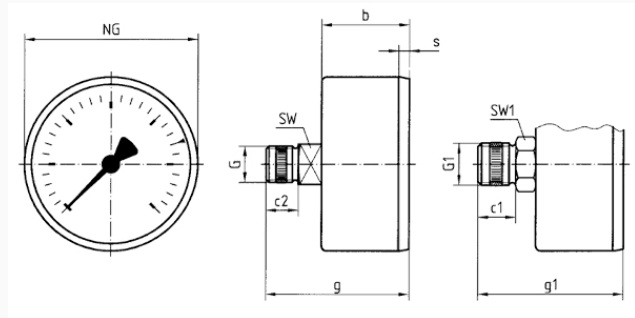
Housing

Plastic (ABS), black, highly impact-resistant and corrosion-resistant

window
Plastic, clipped in
NG 63

Technical Drawings

RF/HZ 63 – centre back connection



Dimensions (mm)

NG	b	c1	c2	g1	g2	G	G1	s	SW	SW1
63	30,4	13	11,5	49,9	50,4	G $\frac{1}{4}$ B	G $\frac{3}{8}$ B	3,7	14	17

Versions

	housing \varnothing	Connec- tion	Connec- tion	Thread	alignment	Range	Type		Part no.
RF63	63 mm	G $\frac{1}{4}$ B		Self-sea- ling with PTFE sealing ring	centre back	0/4 bar	RF63 ax	●	63537

- in-stock items
- Non-stock items