



## Differential pressure bypass valve DÜ

**Part no. 42379**

**Differential pressure bypass valve**

### benefits

- for constant pump pressure in heating systems
- Reduction of flow noise
- with adjustment scale
- Differential pressure fully adjustable
- either space-saving angled version or straight version

### Application

For keeping the pump pressure in sealed heating systems as per EN 12828 constant and for reducing flow noise in the heating system.

### Description

Differential pressure bypass valve with directly readable adjustment scale. Housing made of brass. Available as straight version or angled version for space-saving installation. The differential pressure in the heating system at full load is set directly at the bypass valve. If the volume flow is reduced, the valve opens to keep the head of the circulation pump constant.

### Technical Specifications

#### Operating temperature range

Medium: max. 95 °C

Medium: short-term 120 °C

#### Operating pressure

max. 6 bar

#### Differential pressure

0.1/0.5 bar fully adjustable

#### Housing

angled version

Material: Brass

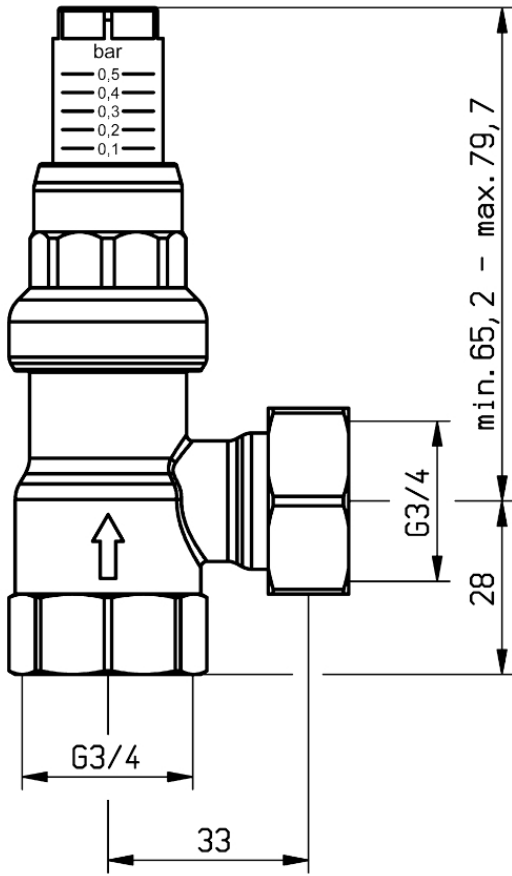
#### Connection angled version

Input: G $\frac{3}{4}$  female

Output: screw connection, flat-sealing with union nut G $\frac{3}{4}$

**Technical Drawings**

angled version



Dimensions (mm)

**Versions**

Part no.

Differential pressure bypass valve  
DÜ

angled version, G<sup>3</sup>/<sub>4</sub> x G<sup>3</sup>/<sub>4</sub>



42379

● in-stock items

● Non-stock items