



Resistance thermometers WTh 20

Part no. 32220

Resistance thermometers

benefits

- plug-in type resistance thermometer with Pt100 sensor
- Probe length 50 mm up to cable length 2,000 mm
- cable extension possible

Application

Plug-in type resistance thermometer

Technical Specifications

Sensor

1 x
3-wire
Class B, IEC 751

Probe

∅ 6 x 50 mm
Stainless steel 316 Ti

Electrical connection

Cable with wire ferrules

cable

PVC, heat-resistant

Measuring range

mounting position fixed: -40/+105 °C
mounting position moving: -5/+105 °C

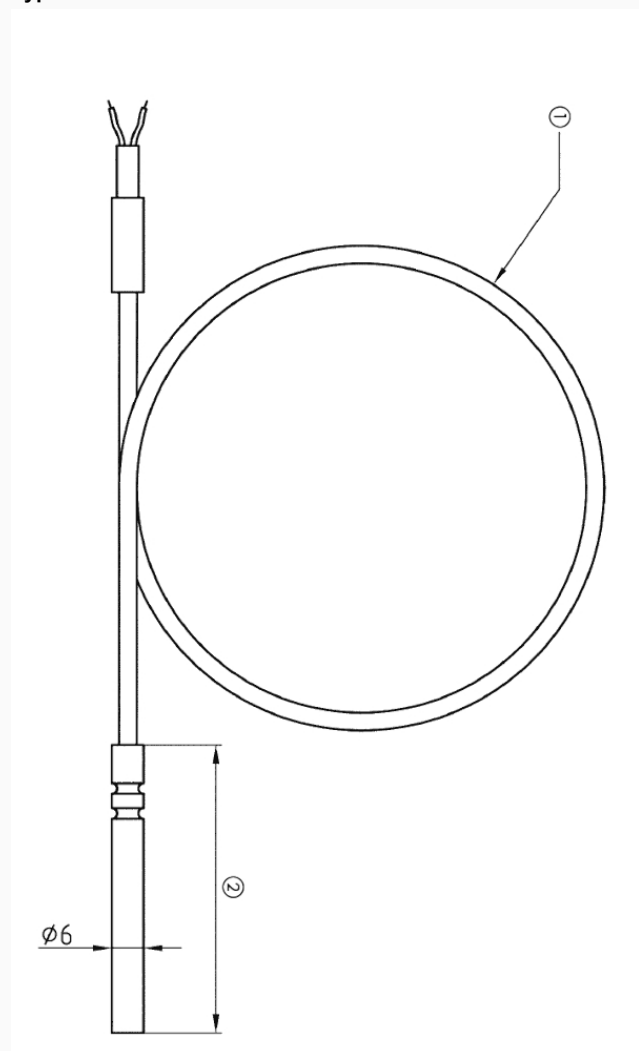
Options

- Coated measuring line
- Sensor class A
- sensor Pt1000
- process connection as adjustable compression fitting or fixed male connection
- connector ISO 4400
- Miniature circular plug
- Lemos connector
- other probe diameters
- other probe lengths
- other cables: Silicone (-50/+180 °C), PTFE (-200/+260 °C), glass fibre with stainless steel braiding (-50/+400 °C)

- Bending protection

Technical Drawings

Type WTh 20



Dimensions (mm)

cable
probe length

Versions

	Installation length	Part no.
Resistance thermometers WTh 20	●	32220

- in-stock items
- Non-stock items