

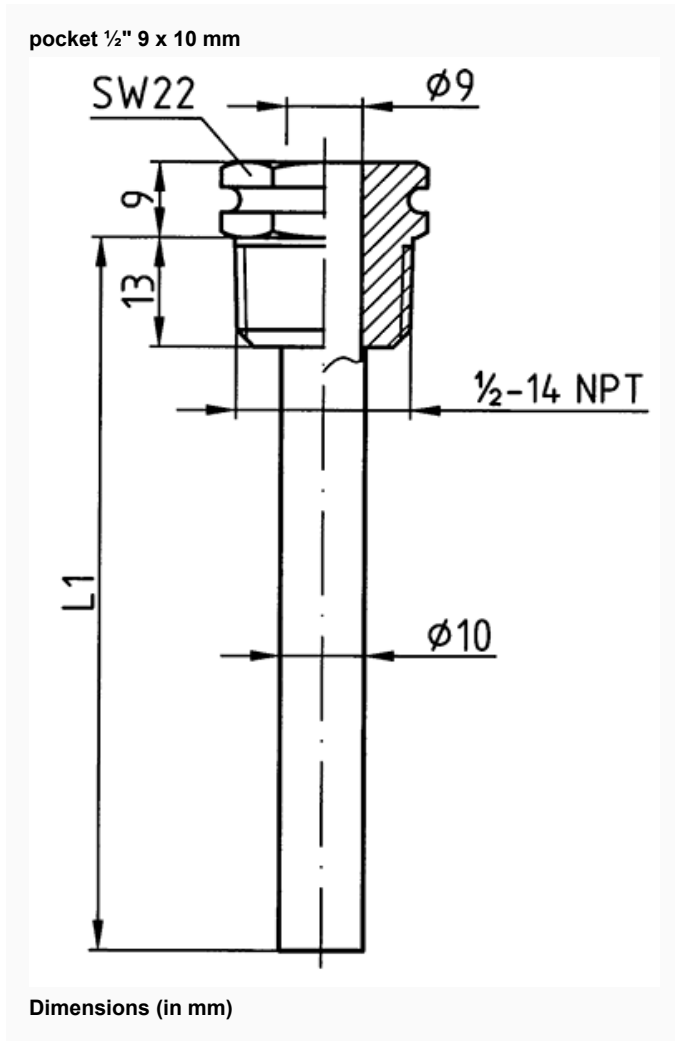


Pocket 1/2" 9 x 10 mm

Part no. 67327

pockets for thermometers and thermostats with capillary tube

Technical Drawings



Versions

Type	material	stem		Stem length L1		Part no.
		inside ϕ	outside ϕ			
Pocket 1/2" 9 x 10 mm	Brass/Cu alloy, bare metal surface	9 mm	10 mm	100 mm	●	67327

- in-stock items
- Non-stock items