

## Pressure transducers DeltaFox DMU 10 D

Part no. 31869

Pressure transducers DeltaFox DMU 10 D Version for differential pressure measurement

### benefits

- compact design
- robust aluminium housing
- high long-term stability
- high overpressure safety
- long service life

### Application

For electronic differential pressure measurement at very low differential pressure. For non-corrosive gaseous media. Particularly suitable for monitoring filters and fans in air and air conditioning applications.

### Technical Specifications

#### Measuring accuracy

Deviation from the characteristic curve according to IEC 60770 – limit point calibration (non-linearity, hysteresis, repeatability)

> 0/160 mbar

≤ ± 0.35 % FSO

#### Measuring range

0/400 mbar

#### Overpressure safety

≤ 0/400 mbar

1,000 mbar

#### Operating temperature range

Medium: -25/+125 °C

Ambient: -25/+85 °C

Storage: -40/+100 °C

#### Temperature error band

> 0/250 mbar

≤ ± 0.5 % FSO In compensated range 0/60 °C

#### dynamic characteristics

Response time: < 5 ms

#### Process connection

2 x G $\frac{1}{8}$ B female

#### material

Housing: aluminium, eloxed, silver

pressure connection: Aluminium

Seal: PUR glued

#### Supply voltage

DC 8 – 32 V

#### Output signal

2-wire, 4–20 mA

#### Load

$R_{\max} = [(UB - UB_{\min})/0.02 A] \Omega$

#### Current input

< 25 mA

**electrical protection**

short circuit proof and protected against reverse polarity

**Electrical connection**

Connector and junction box as per ISO 4400 (DIN 43650-A)

**Degree of protection**

IP 65 (EN 60529)

**CE conformity**

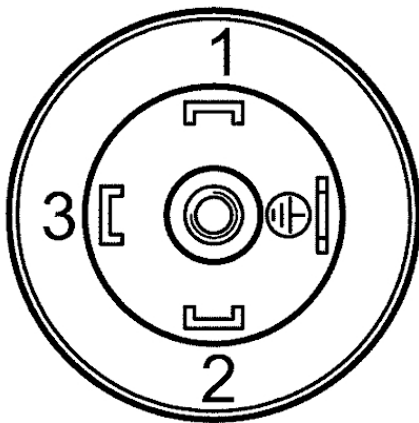
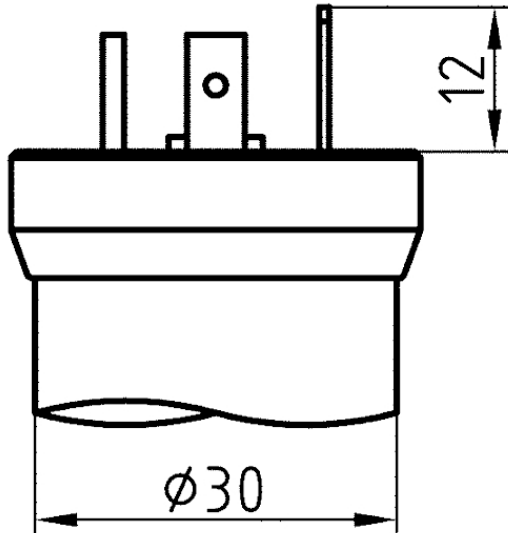
EMC Directive 2014/30/EU  
RoHS Directive 2011/65/EU

**Options**

- other process connections
- other electrical connections
- Digital plug-in display DA 06

Technical Drawings

electrical connection - ISO 4400 (IP 65)



Dimensions (mm)

## Versions

Range	Measuring range	Type	Version	Part no.
	0/400 mbar	DeltaFox DMU 10 D	<input type="radio"/>	31869

- in-stock items
- Non-stock items