



## In-line chemical seal RD 50

**Part no. 31952W**

**In-line chemical seals for hygienic processes**

### benefits

- for dairy fitting DIN 11851
- no T piece required in pipe
- easy, fast installation in pipe

### Application

For use with Bourdon tube pressure gauges, pressure transducers or pressure switches. For flowing, corrosive and highly viscous media; designed for direct installation in pipes. Typical application areas:

Biochemical applications  
 Food and luxury food industry  
 Beverages industry  
 Pharmaceutical industry

### Technical Specifications

#### Process connection/tubus

Stainless steel 316 L  
 male thread DIN 11851

#### diaphragm

Stainless steel 316 L, welded to body, no dead space

#### Instrument connection

Stainless steel 316 L  
 Welded connection

### Options

- Cooling element (> 100 °C)
- Capillary tube

#### pressure transmission liquid

Paraffin oil (FM 09), FDA-listed

#### pressure range

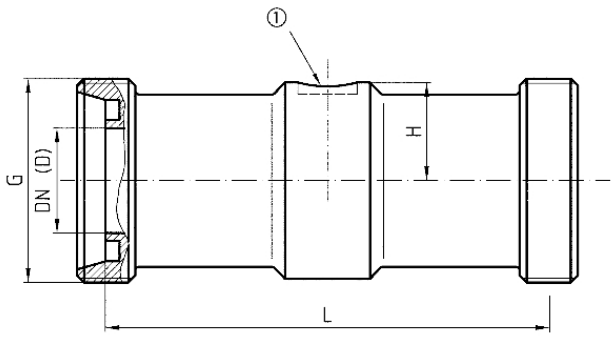
see overview of versions

#### Nominal pressure

PN 40

**Technical Drawings**

**Type RD 50 - DIN 11851/DIN 11887**



Welded connection  $\varnothing$  10 for measuring instrument

DN	PN	G	L	D	H
15	40	Rd34x1/8"	240	16	20
25	40	Rd52x1/6"	110	26	24
32	40	Rd58x1/6"	110	32	29
40	40	Rd65x1/6"	110	38	31,5
50	25	Rd78x1/6"	110	50	37
65	25	Rd95x1/6"	110	66	45
80	25	Rd110x1/4"	60	81	51,5

**Versions**

Process connection	Nominal diameter	Instrument connection	Nominal pressure	minimum range* (in bar) at nominal size				Part no.
				63	100	160	DMU	
male thread DIN 11851	DN 15	Welded connection	PN 40	1.6 bar				31952W

- in-stock items
- Non-stock items